

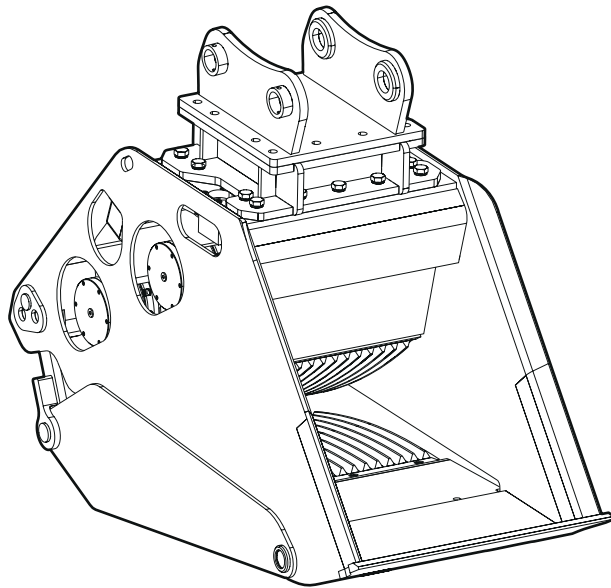
# BC 3700

---

## Spare parts list

### Bucket crusher

BC 3700 s/n DEQ159246 -



# General information

This spare parts list applies to the following:

Part number	Description
3363117989	Bucket crusher BC 3700 parallel with intermediate plate
3363123606	Bucket crusher BC 3700 cross with intermediate plate
3363121331	Bucket crusher BC 3700 parallel without intermediate plate
3363123610	Bucket crusher BC 3700 cross without intermediate plate

Use only authorized parts. Any damage or malfunction caused by the use of unauthorized parts is not covered by Warranty or Product Liability. Any unauthorized use or copying of the contents or any part thereof is prohibited. This applies in particular to trademarks, model denominations, part numbers, and drawings.

## Instructions for use

This spare parts list contains no safety regulations and is merely intended to assist in the ordering of spare parts.

For information about operating, servicing, or repairing, the relevant Safety and operating instructions must be consulted at all costs.

Please observe the safety instructions listed in the relevant Safety and operating instructions!

## Instructions for ordering

It is essential to indicate the serial number of the hydraulic attachment when ordering spare parts!

Please note the full identification number of your hydraulic attachment.

Determine the quantity of individual parts which are required and need to be ordered. The order must indicate the following details:

- full identification code of the hydraulic attachment
- required quantity
- part number
- description

**Service, repair and wear part kits**

Kit list ..... 1

**Mechanical**

Bucket with intermediate plate ..... 3  
Bucket without intermediate plate ..... 5  
Mobile support parallel ..... 7  
Mobile support cross ..... 9  
Lower support ..... 11  
Inner hydraulic hoses ..... 13  
Optional parts ..... 15  
Tightening torques ..... 17  
Dimensions with intermediate plate ..... 19  
Dimensions without intermediate plate ..... 20

**Options / accessories**

Hydraulic hoses ..... 22  
Optional equipment ..... 25

Service, repair and wear part kits Kit list

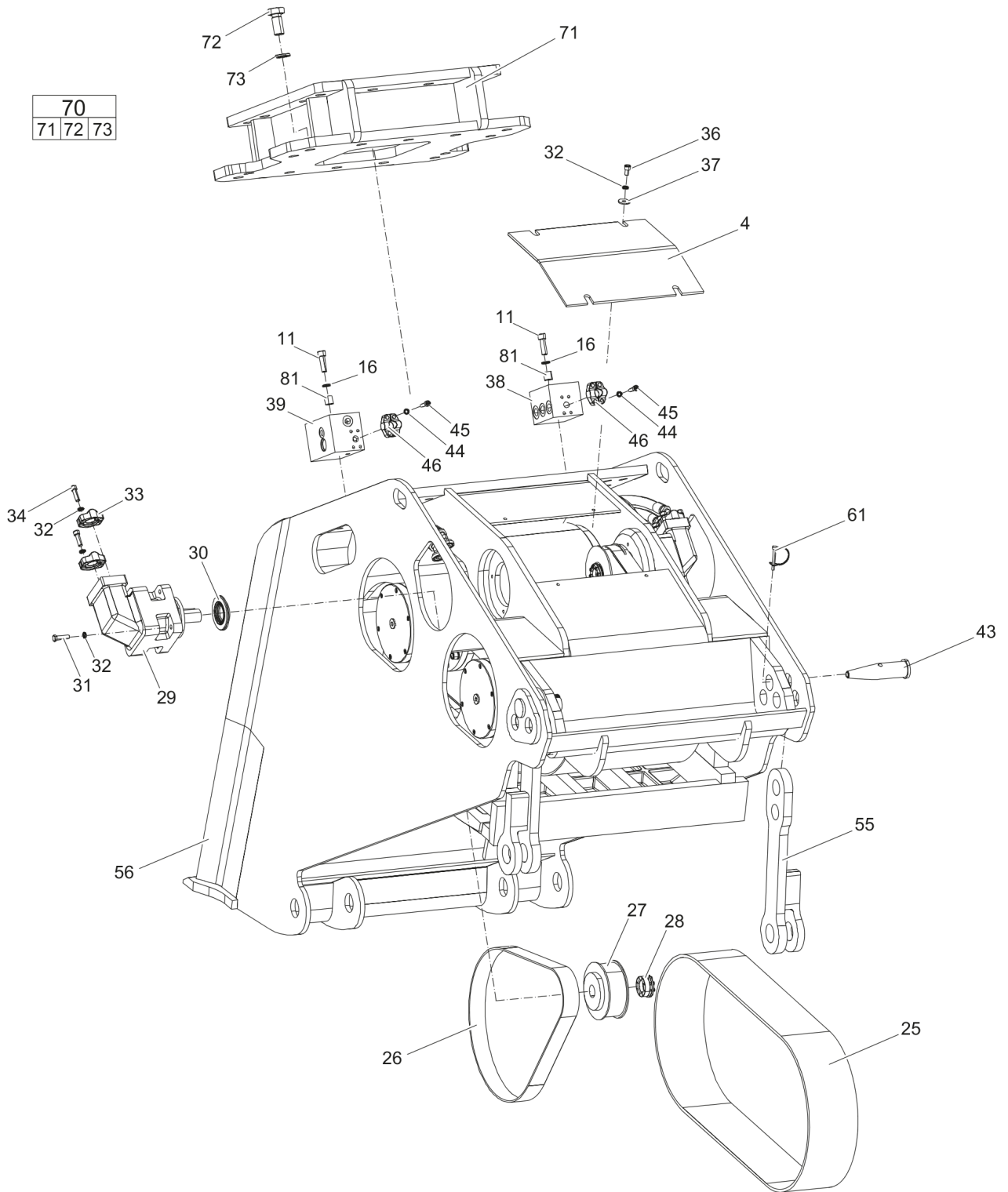
NO EXPLODED VIEW  
AVAILABLE  
FOR THIS BOM

Item	Part No.	Name	Qty	L
KIT	3363118473	Label kit	1	
30	3363118459	Seal kit (Hydraulic motor)	2	
109(110-117)	3363118482	Hydraulic hose kit	1	A
110	3363118474	Hydraulic hose	1	
111	3363118475	Hydraulic hose	1	
112	3363118476	Hydraulic hose	1	
113	3363118477	Hydraulic hose	1	
114	3363118478	Hydraulic hose	1	
115	3363118479	Hydraulic hose	1	
116	3363118480	Hydraulic hose	1	
117	3363118481	Hydraulic hose	1	

Comments for Page: Kit list

A | Inner hydraulic hoses

Mechanical Bucket with intermediate plate



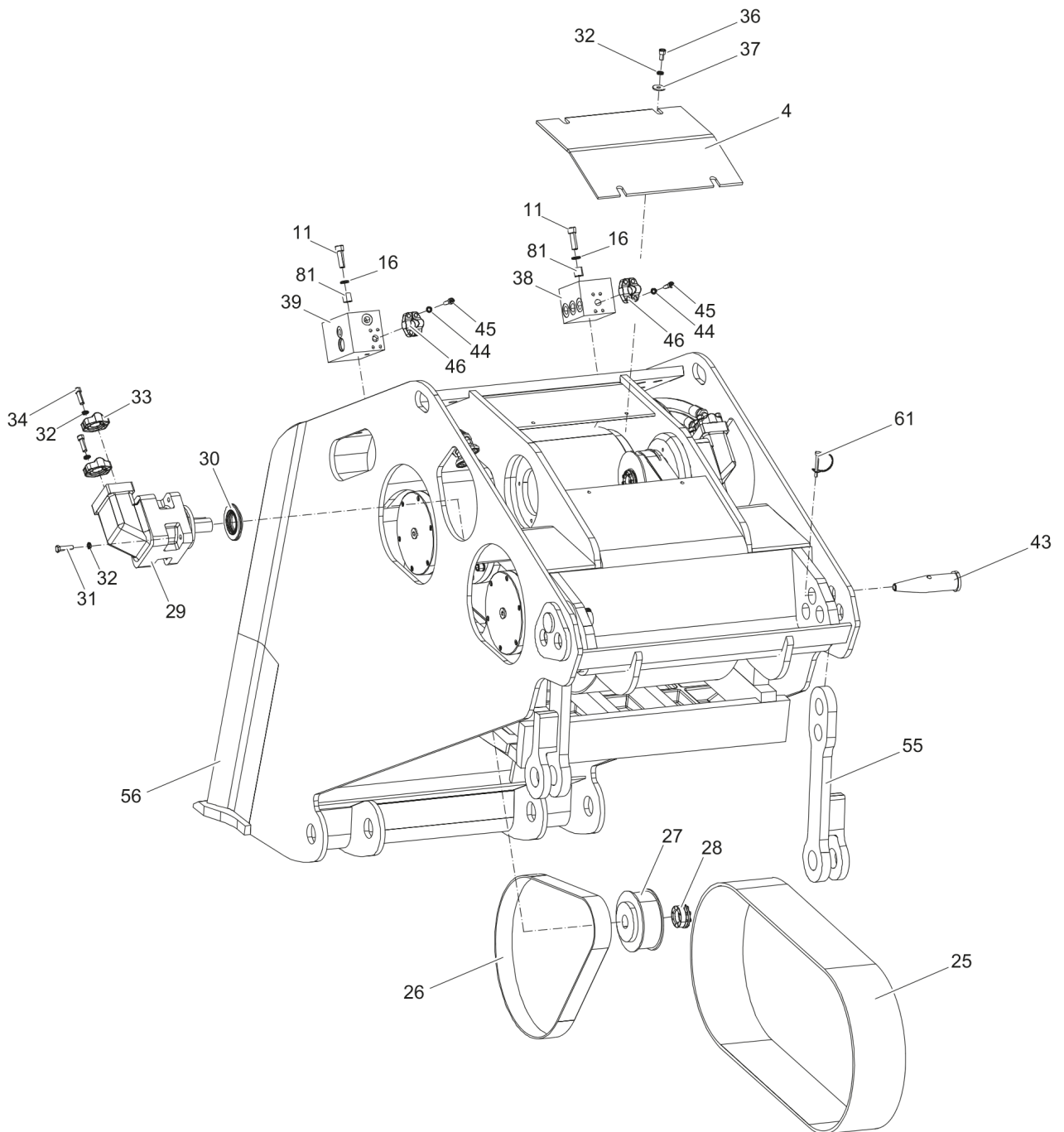
Item	Part No.	Name	Qty	L
4	3363118445	Gear cover	1	
11	3363118386	Allen screw	8	
16	3361333703	Pair of lock washers	8	
25	3363118455	Main timing belt	1	
26	3363118401	Secondary timing belt	2	
27	3363118456	Gear	2	
28	3363118457	Conical attachment	2	
29	3363118458	Hydraulic motor	2	
30	3363118459	Seal kit (Hydraulic motor)	2	
31	3362328039	Allen screw	8	
32	3361850596	Pair of lock washers	28	
33	3361853208	Flange half	8	
34	3363118433	Allen screw	16	
36	3363118434	Allen screw	4	
37	3363118461	Washer	4	
38	3363118408	Valve block	1	A
39	3363118409	Valve block	1	B
43	3363118464	Pin	2	
44	3361850745	Pair of lock washers	8	
45	3363118470	Allen screw	8	
46	3360995664	Flange half	4	
55	3363118467	Tensioner fork	2	
56	3363118468	Housing	1	
61	3363118420	Locking pin	2	
70(71-73)	3363118484	Intermediate plate complete	1	
71		Intermediate plate	1	
72	3363089342	Hexagonal head bolt	14	
73	3361850747	Pair of lock washers	14	
81	3363118472	Spacer	8	

Comments for Page: Bucket with intermediate plate

A | Working valve block

B | Return valve block

Mechanical Bucket without intermediate plate



Refer to the DocMine web page for most up-to-date information. The printed information might be outdated.  
Tue Apr 09 12:36:33 UTC 2019



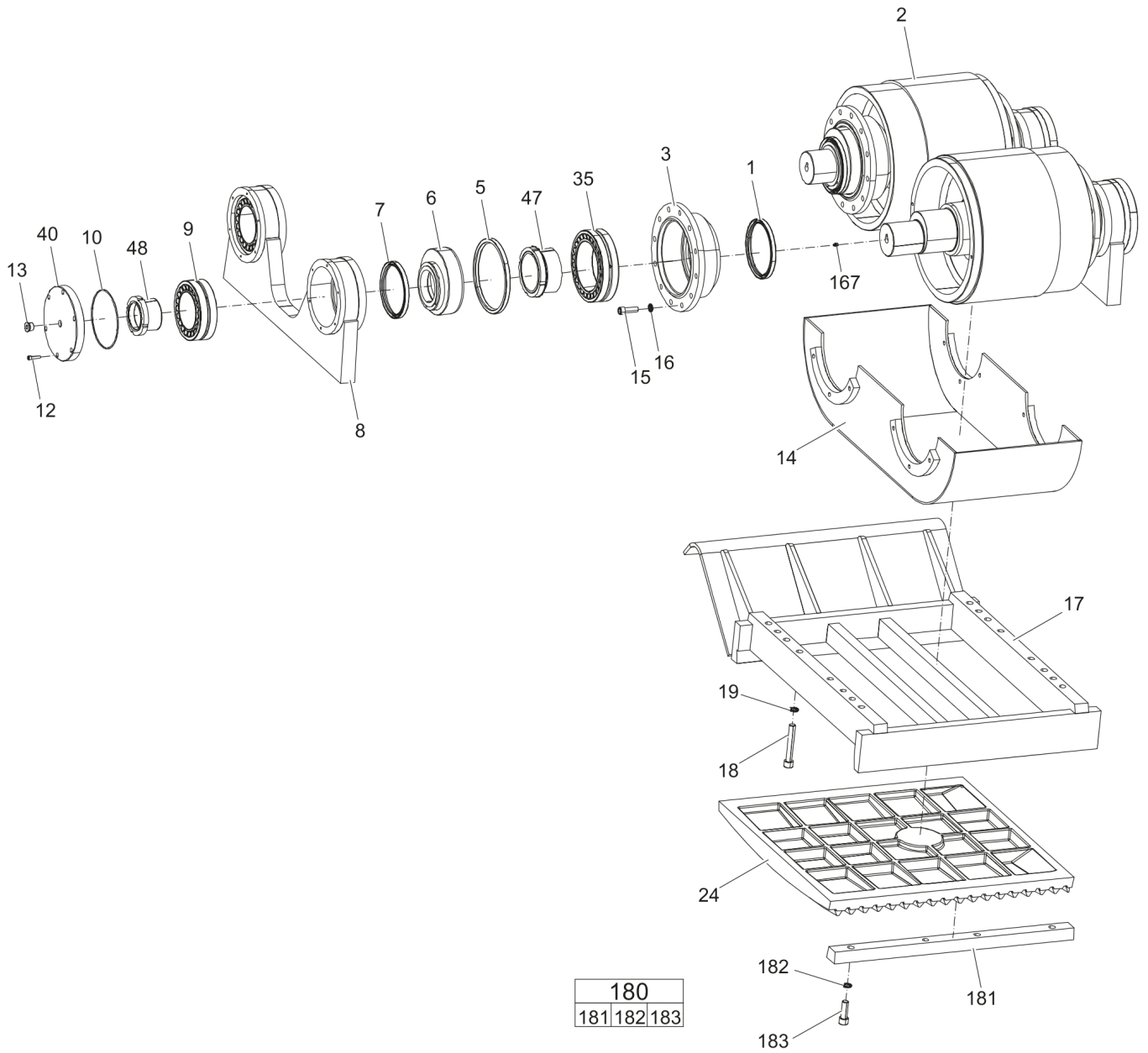
Item	Part No.	Name	Qty	L
4	3363118445	Gear cover	1	
11	3363118386	Allen screw	8	
16	3361333703	Pair of lock washers	8	
25	3363118455	Main timing belt	1	
26	3363118401	Secondary timing belt	2	
27	3363118456	Gear	2	
28	3363118457	Conical attachment	2	
29	3363118458	Hydraulic motor	2	
30	3363118459	Seal kit (Hydraulic motor)	2	
31	3362328039	Allen screw	8	
32	3361850596	Pair of lock washers	28	
33	3361853208	Flange half	8	
34	3363118433	Allen screw	16	
36	3363118434	Allen screw	4	
37	3363118461	Washer	4	
38	3363118408	Valve block	1	A
39	3363118409	Valve block	1	B
43	3363118464	Pin	2	
44	3361850745	Pair of lock washers	8	
45	3363118470	Allen screw	8	
46	3360995664	Flange half	4	
55	3363118467	Tensioner fork	2	
56	3363118468	Housing	1	
61	3363118420	Locking pin	2	
81	3363118472	Spacer	8	

Comments for Page: Bucket without intermediate plate

A | Working valve block

B | Return valve block

Mechanical Mobile support parallel



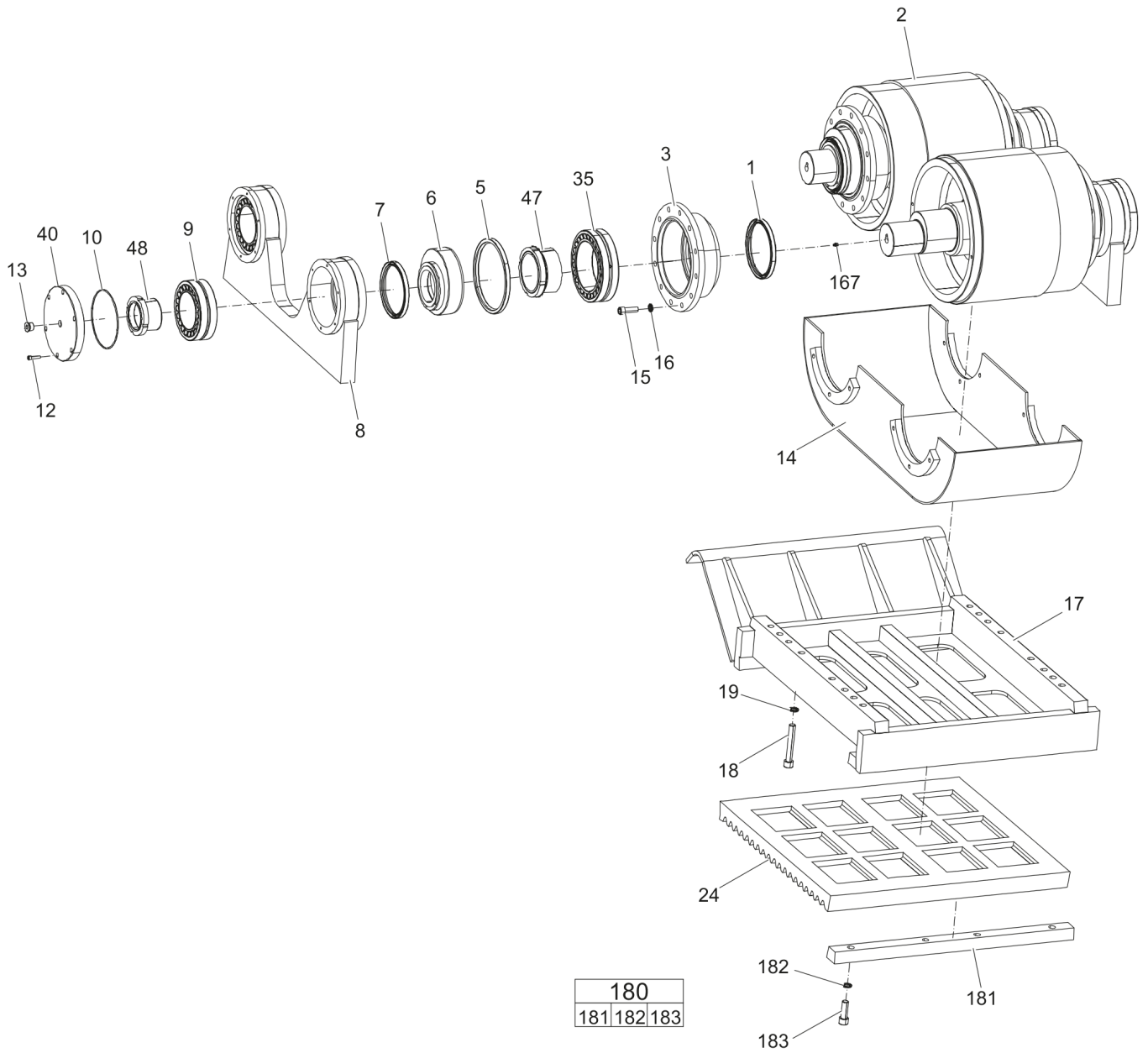
180
181 182 183

Item	Part No.	Name	Qty	L
1	3363118441	Seal	4	
2	3363118438	Drive shaft	2	
3	3363118439	Flange	4	
5	3363118442	Seal	4	
6	3363118446	Seal support	4	
7	3363118443	Seal	4	
8	3363118447	Bridge part	2	
9	3363118448	Bearing	4	
10	3363118449	Seal	4	
12	0211132700	CAP SCREW	24	
13	3363118394	Allen plug	4	
14	3363118450	Transmission housing	1	
15	3363118444	Allen screw	40	
16	3361333703	Pair of lock washers	40	
17	3363118451	Mobile support	1	
18	3363118440	Allen screw	16	
19	3361850748	Pair of lock washers	16	
24	3363118452	Jaw	1	A
35	3363118460	Bearing	4	
40	3363118462	Cover	4	
47	3363118465	Sleeve	4	
48	3363118466	Sleeve	4	
167	3360209834	Grease nipple	4	
180(181-183)	3363118381	Wedge complete	1	
181		Wedge	1	
182	3361850748	Pair of lock washers	4	
183	3363094902	Allen screw	4	

Comments for Page: Mobile support parallel

A | parallel

Mechanical Mobile support cross



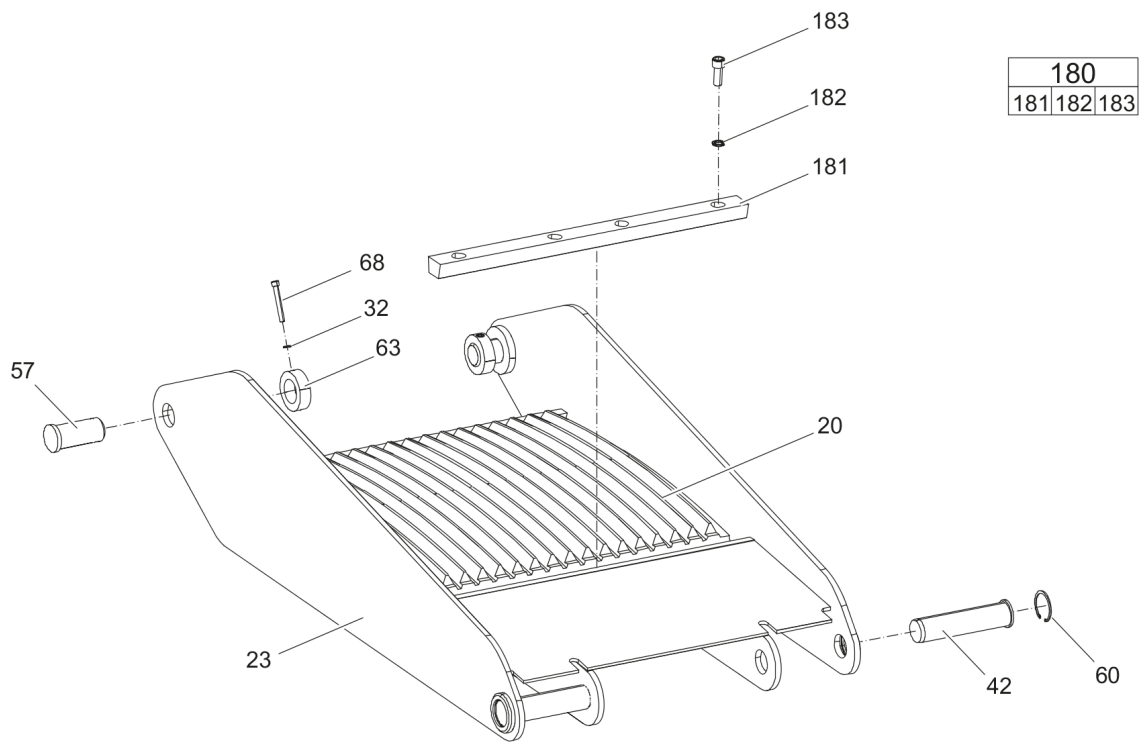
Refer to the DocMine web page for most up-to-date information. The printed information might be outdated.  
Tue Apr 09 12:36:35 UTC 2019

Item	Part No.	Name	Qty	L
1	3363118441	Seal	4	
2	3363118438	Drive shaft	2	
3	3363118439	Flange	4	
5	3363118442	Seal	4	
6	3363118446	Seal support	4	
7	3363118443	Seal	4	
8	3363118447	Bridge part	2	
9	3363118448	Bearing	4	
10	3363118449	Seal	4	
12	0211132700	CAP SCREW	24	
13	3363118394	Allen plug	4	
14	3363118450	Transmission housing	1	
15	3363118444	Allen screw	40	
16	3361333703	Pair of lock washers	40	
17	3363118451	Mobile support	1	
18	3363118440	Allen screw	16	
19	3361850748	Pair of lock washers	16	
24	3363118485	Jaw	1	A
35	3363118460	Bearing	4	
40	3363118462	Cover	4	
47	3363118465	Sleeve	4	
48	3363118466	Sleeve	4	
167	3360209834	Grease nipple	4	
180(181-183)	3363118381	Wedge complete	1	
181		Wedge	1	
182	3361850748	Pair of lock washers	4	
183	3363094902	Allen screw	4	

Comments for Page: Mobile support cross

A | cross

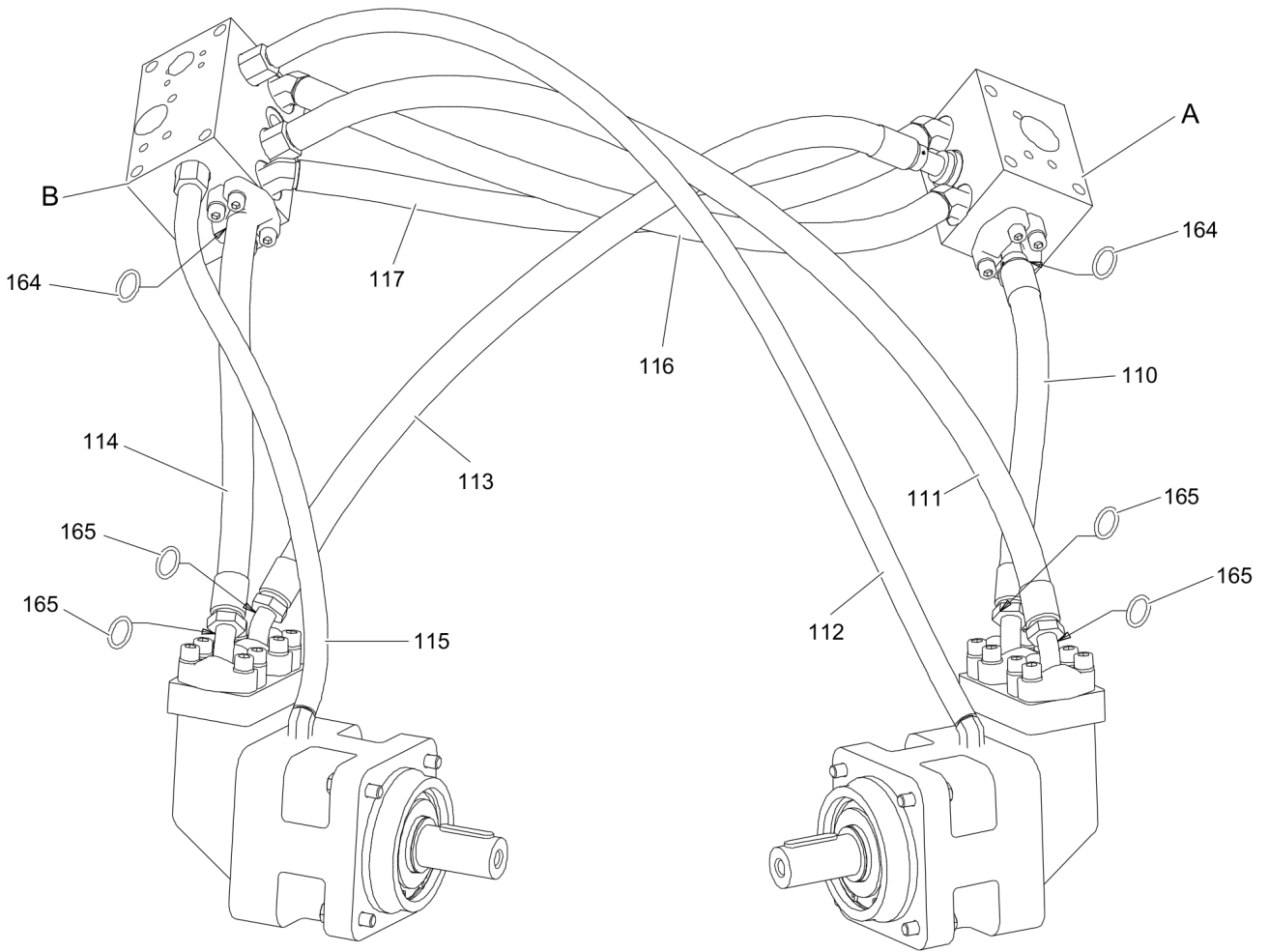
Mechanical Lower support



Item	Part No.	Name	Qty	L
20	3363118452	Jaw	1	
23	3363118454	Lower support	1	
32	3361850596	Pair of lock washers	2	
42	3363118463	Bolt	2	
57	3363118469	Bolt	2	
60	3363119435	Circlip	2	
63	3363118471	Screwed washer	2	
68	3363118483	Allen screw	2	
180(181-183)	3363118381	Wedge complete	1	
181		Wedge	1	
182	3361850748	Pair of lock washers	4	
183	3363094902	Allen screw	4	

Mechanical Inner hydraulic hoses

109							
110	111	112	113	114	115	116	117





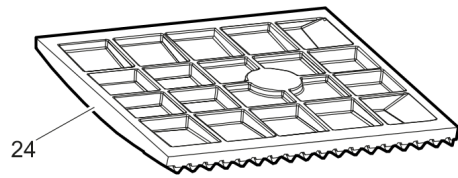
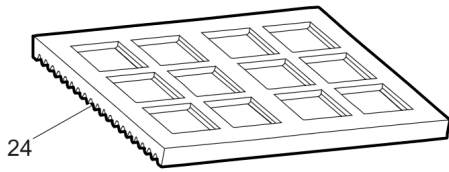
Item	Part No.	Name	Qty	L
109(110-117)	3363118482	Hydraulic hose kit	1	
110	3363118474	Hydraulic hose	1	
111	3363118475	Hydraulic hose	1	
112	3363118476	Hydraulic hose	1	
113	3363118477	Hydraulic hose	1	
114	3363118478	Hydraulic hose	1	
115	3363118479	Hydraulic hose	1	
116	3363118480	Hydraulic hose	1	
117	3363118481	Hydraulic hose	1	
164	3363087665	O-ring	2	
165	3360314370	O-ring	4	

Comments for Page: Inner hydraulic hoses

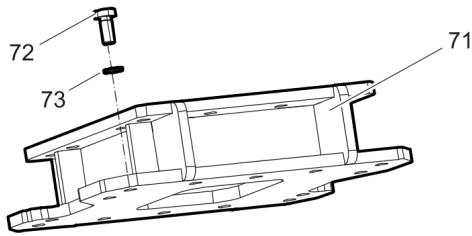
A | Working valve block

B | Return valve block

Mechanical Optional parts



70		
71	72	73



Item	Part No.	Name	Qty	L
24	3363118485	Jaw	1	A
24	3363118452	Jaw	1	B
70(71-73)	3363118484	Intermediate plate complete	1	
71		Intermediate plate	1	
72	3363089342	Hexagonal head bolt	14	
73	3361850747	Pair of lock washers	14	

Comments for Page: Optional parts

A | cross

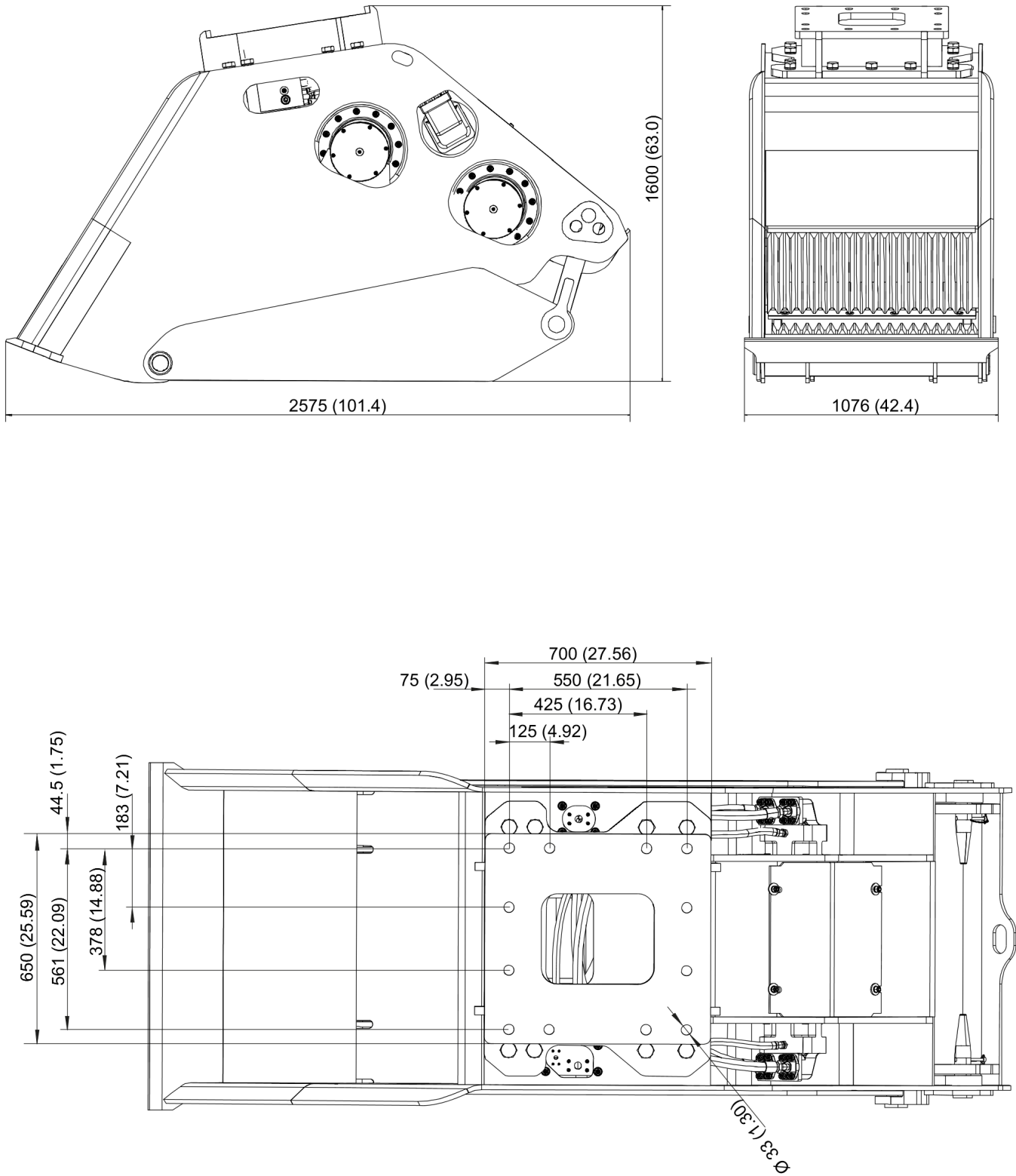
B | parallel

Mechanical Tightening torques

NO EXPLODED VIEW  
AVAILABLE  
FOR THIS BOM

Item	Part No.	Name	Qty	L
Not Shown	-	Bolt size: M8 x 1.25, property class: 8.8 - 26 Nm (19 ft lbf)	-	
Not Shown	-	Bolt size: M10 x 1.5, property class: 8.8 - 53 Nm (39 ft lbf)	-	
Not Shown	-	Bolt size: M12 x 1.75, property class: 8.8 - 120 Nm (89 ft lbf)	-	
Not Shown	-	Bolt size: M14 x 2, property class: 8.8 - 140 Nm (103 ft lbf)	-	
Not Shown	-	Bolt size: M16 x 2, property class: 8.8 - 210 Nm (155 ft lbf)	-	
Not Shown	-	Bolt size: M18 x 2.5, property class: 8.8 - 295 Nm (218 ft lbf)	-	
Not Shown	-	Bolt size: M20 x 2.5, property class: 8.8 - 415 Nm (306 ft lbf)	-	
Not Shown	-	Bolt size: M22 x 2.5, property class: 8.8 - 580 Nm (428 ft lbf)	-	
Not Shown	-	Bolt size: M24 x 3, property class: 8.8 - 710 Nm (524 ft lbf)	-	
Not Shown	-	Bolt size: M27 x 3, property class: 8.8 - 1050 Nm (774 ft lbf)	-	
Not Shown	-	Bolt size: M30 x 3.5, property class: 8.8 - 1420 Nm (1047 ft lbf)	-	
Not Shown	-	Bolt size: M36 x 4, property class: 8.8 - 2400 Nm (1770 ft lbf)	-	

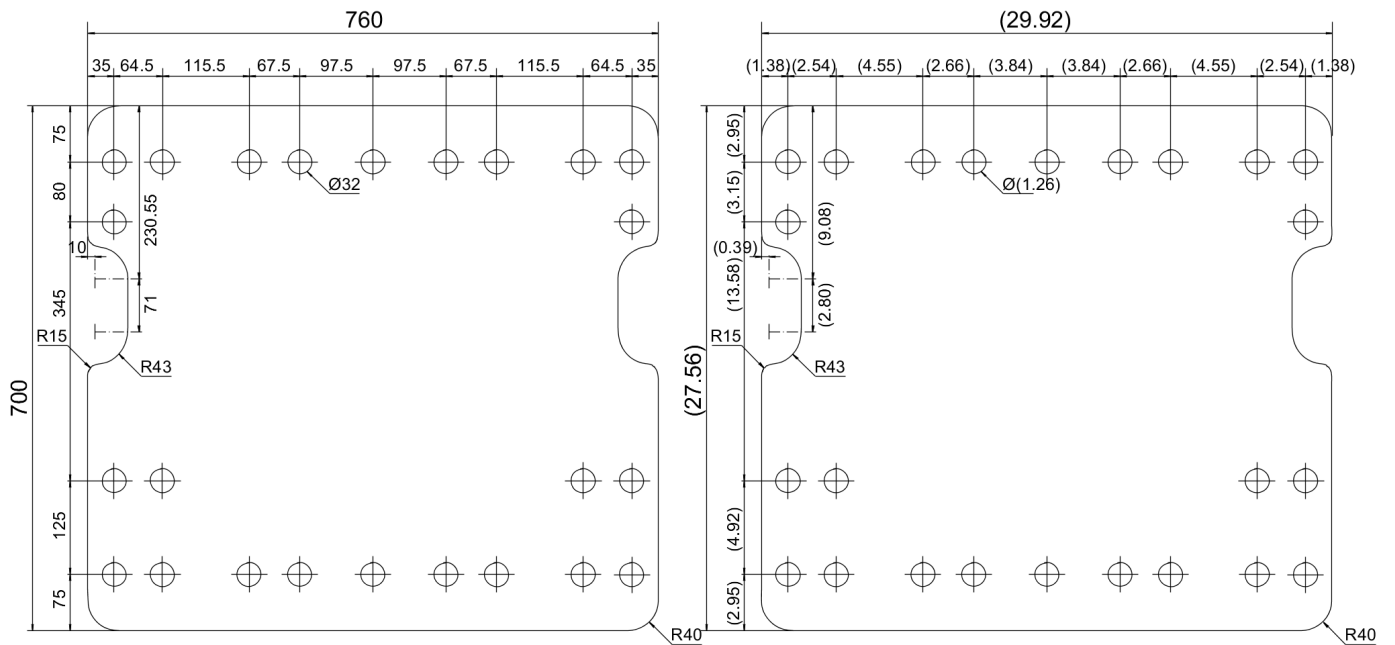
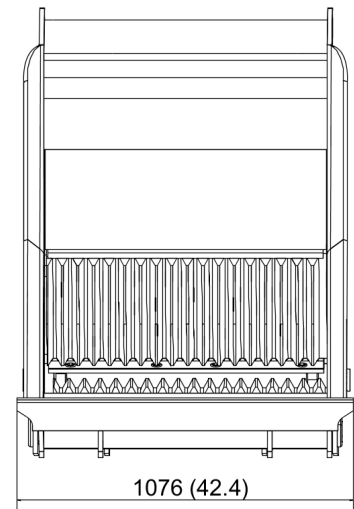
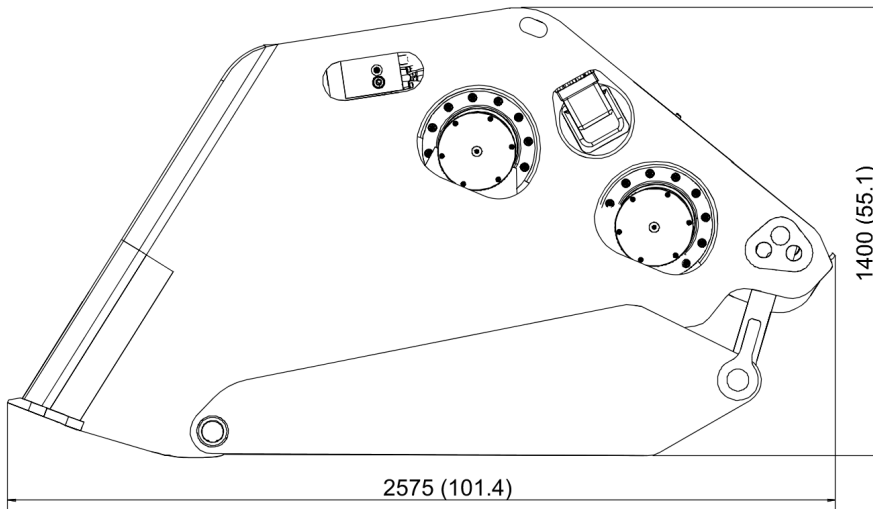
Mechanical Dimensions with intermediate plate



Refer to the DocMine web page for most up-to-date information. The printed information might be outdated.  
Tue Apr 09 12:36:39 UTC 2019

This page intentionally left blank

Mechanical Dimensions without intermediate plate



Refer to the DocMine web page for most up-to-date information. The printed information might be outdated.

Tue Apr 09 12:36:39 UTC 2019



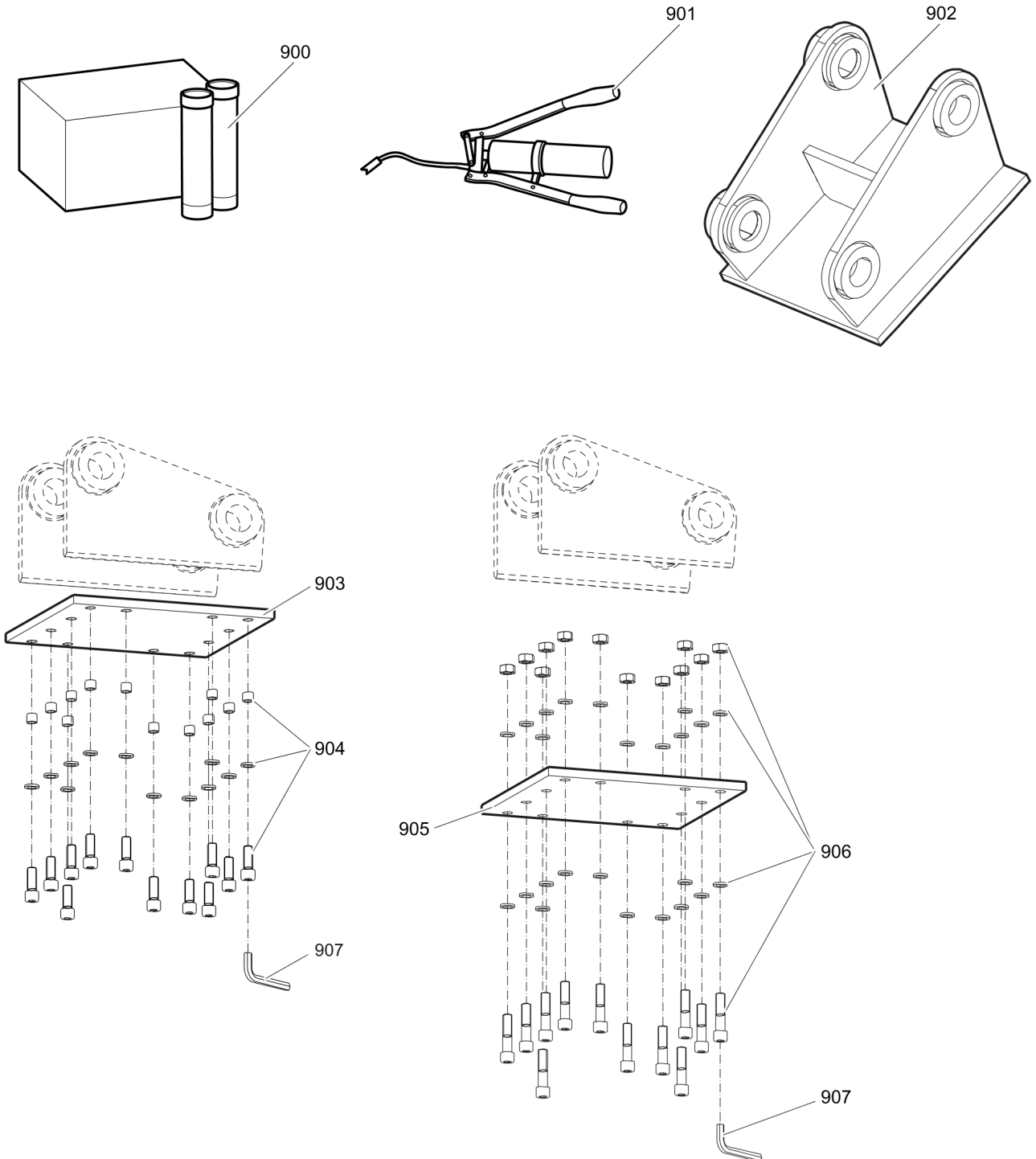
This page intentionally left blank

Options / accessories Hydraulic hoses

NO EXPLODED VIEW  
AVAILABLE  
FOR THIS BOM

Item	Part No.	Name	Qty	L
Not Shown	-	Connecting hose with flange and cap nut for rotation forwards - backwards		
-	3363118027	Hydraulic hose with flange, I.D. 25 mm , flange SAE 1" 6000 PSI / M42 x 2 conical seal 24°, length 2300 mm (91 in.)	2	
Not Shown	-	Connecting hose for leakage line		
-	3363118028	Hydraulic hose with flange, I.D. 12 mm , flange SAE 1/2" 6000 PSI / M24 x 1.5 conical seal 24°, length 2300 mm (91 in.)	1	

Options / accessories Optional equipment



Item	Part No.	Name	Qty	L
900	3363122250	Free flow grease cartridge, 12 x 400 g (0.88 lb)	1	A
901	0909107100	LUBRICAT.GUN	1	
902		Adapter plate matching the carrier. Consult the authorized Customer Center/Dealer in your area.	1	
903	3363099795	Base plate with threaded inserts	1	B
904	3363087306	Bolt kit	1	
905	3363100699	Base plate with through borings	1	B
906	3363094579	Bolt kit	1	
907	3360209445	Allen key (22 mm)	1	

Comments for Page: Optional equipment

A | Epiroc Free flow grease

B | suitable for versions with intermediate plate





Any unauthorized use or copying of the contents or any part thereof is prohibited.  
This applies in particular to trademarks, model denominations, part numbers, and drawings.