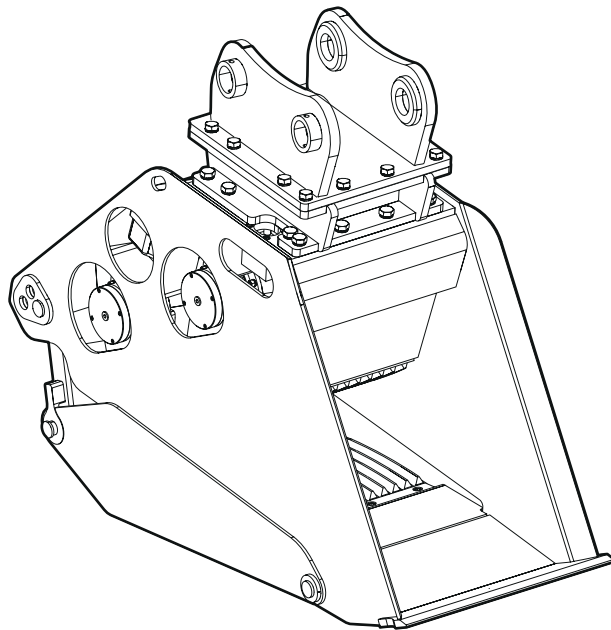


BC 2500

Spare parts list

Bucket crusher

BC 2500 s/n DEQ159235 -



General information

This spare parts list applies to the following:

| Part number | Description |
|-------------|--|
| 3363117988 | Bucket crusher BC 2500 parallel with intermediate plate |
| 3363123605 | Bucket crusher BC 2500 cross with intermediate plate |
| 3363121330 | Bucket crusher BC 2500 parallel without intermediate plate |
| 3363123609 | Bucket crusher BC 2500 cross without intermediate plate |

Use only authorized parts. Any damage or malfunction caused by the use of unauthorized parts is not covered by Warranty or Product Liability. Any unauthorized use or copying of the contents or any part thereof is prohibited. This applies in particular to trademarks, model denominations, part numbers, and drawings.

Instructions for use

This spare parts list contains no safety regulations and is merely intended to assist in the ordering of spare parts.

For information about operating, servicing, or repairing, the relevant Safety and operating instructions must be consulted at all costs.

Please observe the safety instructions listed in the relevant Safety and operating instructions!

Instructions for ordering

It is essential to indicate the serial number of the hydraulic attachment when ordering spare parts!

Please note the full identification number of your hydraulic attachment.

Determine the quantity of individual parts which are required and need to be ordered. The order must indicate the following details:

- full identification code of the hydraulic attachment
- required quantity
- part number
- description

Service, repair and wear part kits

Kit list 1

Mechanical

Bucket with intermediate plate 3
Bucket without intermediate plate 5
Mobile support parallel 7
Mobile support cross 9
Lower support 11
Inner hydraulic hoses 13
Optional parts 15
Tightening torques 17
Dimensions with intermediate plate 19
Dimensions without intermediate plate 20

Options / accessories

Hydraulic hoses 22
Optional equipment 25

Service, repair and wear part kits Kit list

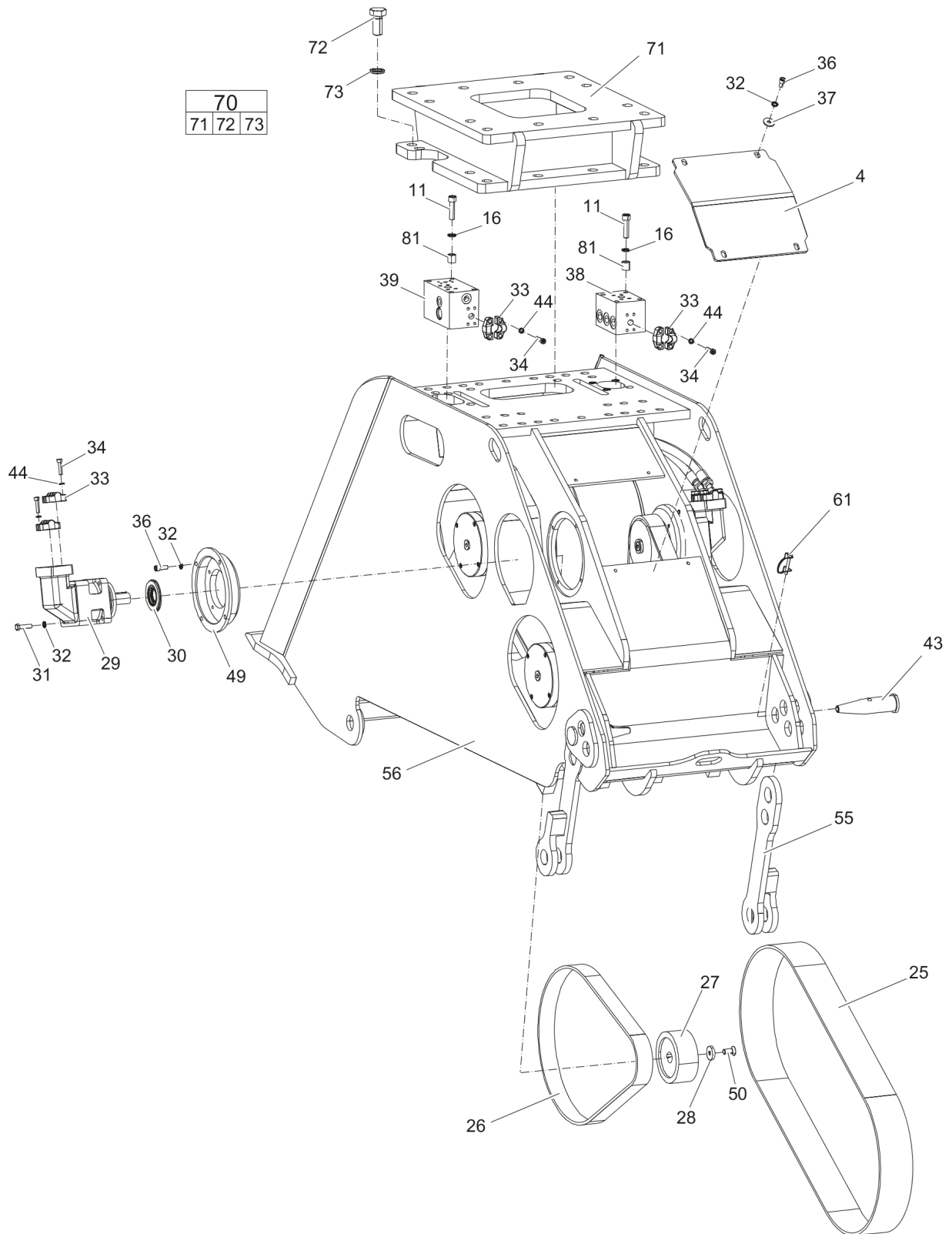
NO EXPLODED VIEW
AVAILABLE
FOR THIS BOM

| Item | Part No. | Name | Qty | L |
|--------------|------------|----------------------------|-----|---|
| KIT | 3363118423 | Label kit | 1 | |
| 30 | 3363118405 | Seal kit (Hydraulic motor) | 2 | |
| 109(110-117) | 3363118432 | Hydraulic hose kit | 1 | A |
| 110 | 3363118424 | Hydraulic hose | 1 | |
| 111 | 3363118425 | Hydraulic hose | 1 | |
| 112 | 3363118426 | Hydraulic hose | 1 | |
| 113 | 3363118427 | Hydraulic hose | 1 | |
| 114 | 3363118428 | Hydraulic hose | 1 | |
| 115 | 3363118429 | Hydraulic hose | 1 | |
| 116 | 3363118430 | Hydraulic hose | 1 | |
| 117 | 3363118431 | Hydraulic hose | 1 | |

Comments for Page: Kit list

A | Inner hydraulic hoses

Mechanical Bucket with intermediate plate



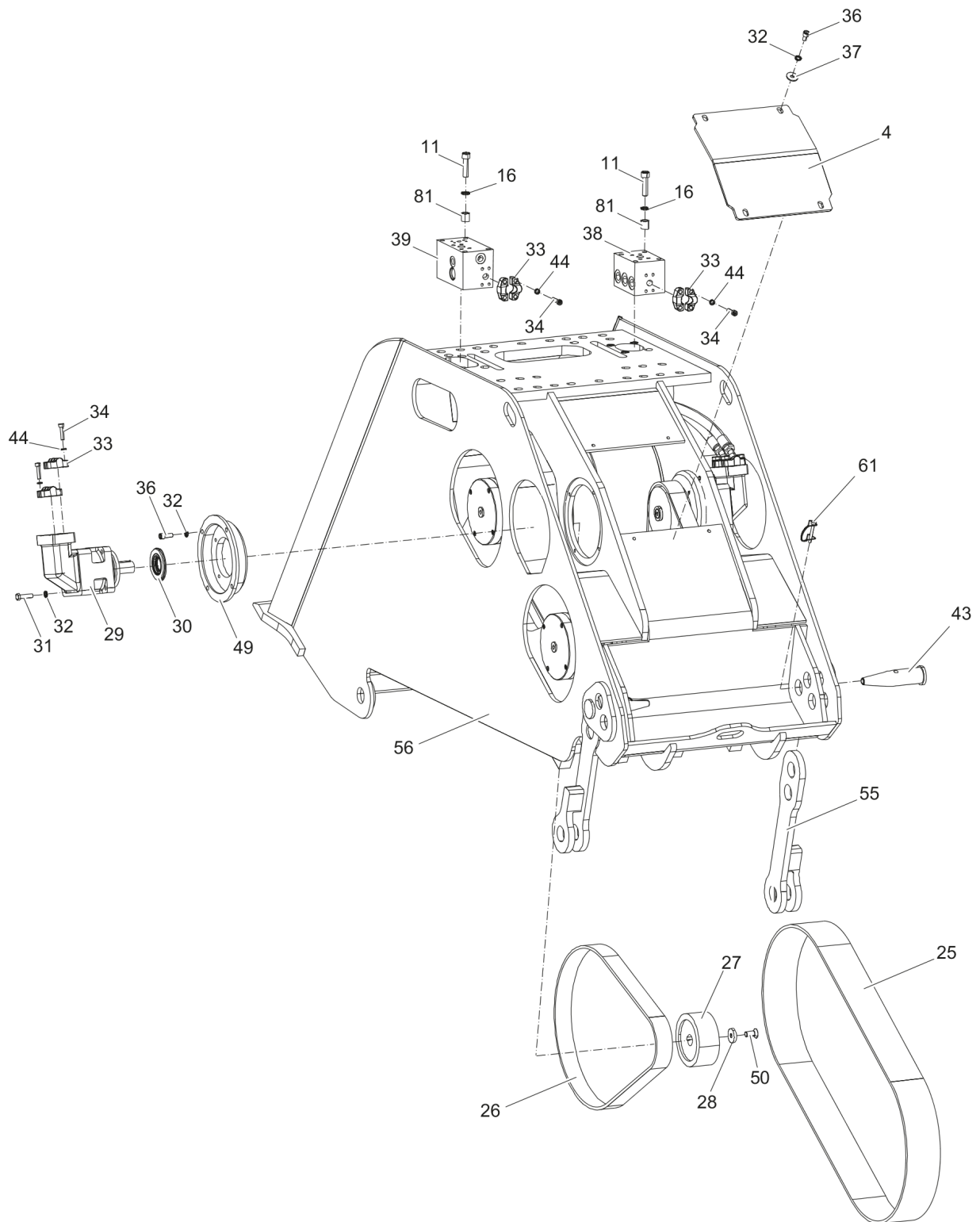
| Item | Part No. | Name | Qty | L |
|-----------|------------|-----------------------------|-----|---|
| 4 | 3363118389 | Gear cover | 1 | |
| 11 | 3363118386 | Allen screw | 8 | |
| 16 | 3361333703 | Pair of lock washers | 8 | |
| 25 | 3363118400 | Main timing belt | 1 | |
| 26 | 3363118401 | Secondary timing belt | 2 | |
| 27 | 3363118402 | Gear | 2 | |
| 28 | 3363118403 | Washer | 2 | |
| 29 | 3363118404 | Hydraulic motor | 2 | |
| 30 | 3363118405 | Seal kit (Hydraulic motor) | 2 | |
| 31 | 3362328039 | Allen screw | 8 | |
| 32 | 3361850596 | Pair of lock washers | 20 | |
| 33 | 3360995664 | Flange half | 12 | |
| 34 | 3363118433 | Allen screw | 24 | |
| 36 | 3363118434 | Allen screw | 12 | |
| 37 | 3363118407 | Washer | 4 | |
| 38 | 3363118408 | Valve block | 1 | A |
| 39 | 3363118409 | Valve block | 1 | B |
| 43 | 3363118412 | Pin | 2 | |
| 44 | 3361850745 | Pair of lock washers | 24 | |
| 49 | 3363118415 | Support | 2 | |
| 50 | 3363091047 | Flat head socket bolt | 2 | |
| 55 | 3363118416 | Tensioner fork | 2 | |
| 56 | 3363118417 | Housing | 1 | |
| 61 | 3363118420 | Locking pin | 2 | |
| 70(71-73) | 3363118435 | Intermediate plate complete | 1 | |
| 71 | | Intermediate plate | 1 | |
| 72 | 3363089342 | Hexagonal head bolt | 12 | |
| 73 | 3361850747 | Pair of lock washers | 12 | |
| 81 | 3363118422 | Spacer | 8 | |

Comments for Page: Bucket with intermediate plate

A | Working valve block

B | Return valve block

Mechanical Bucket without intermediate plate



Refer to the DocMine web page for most up-to-date information. The printed information might be outdated.
Tue Apr 09 11:30:48 UTC 2019

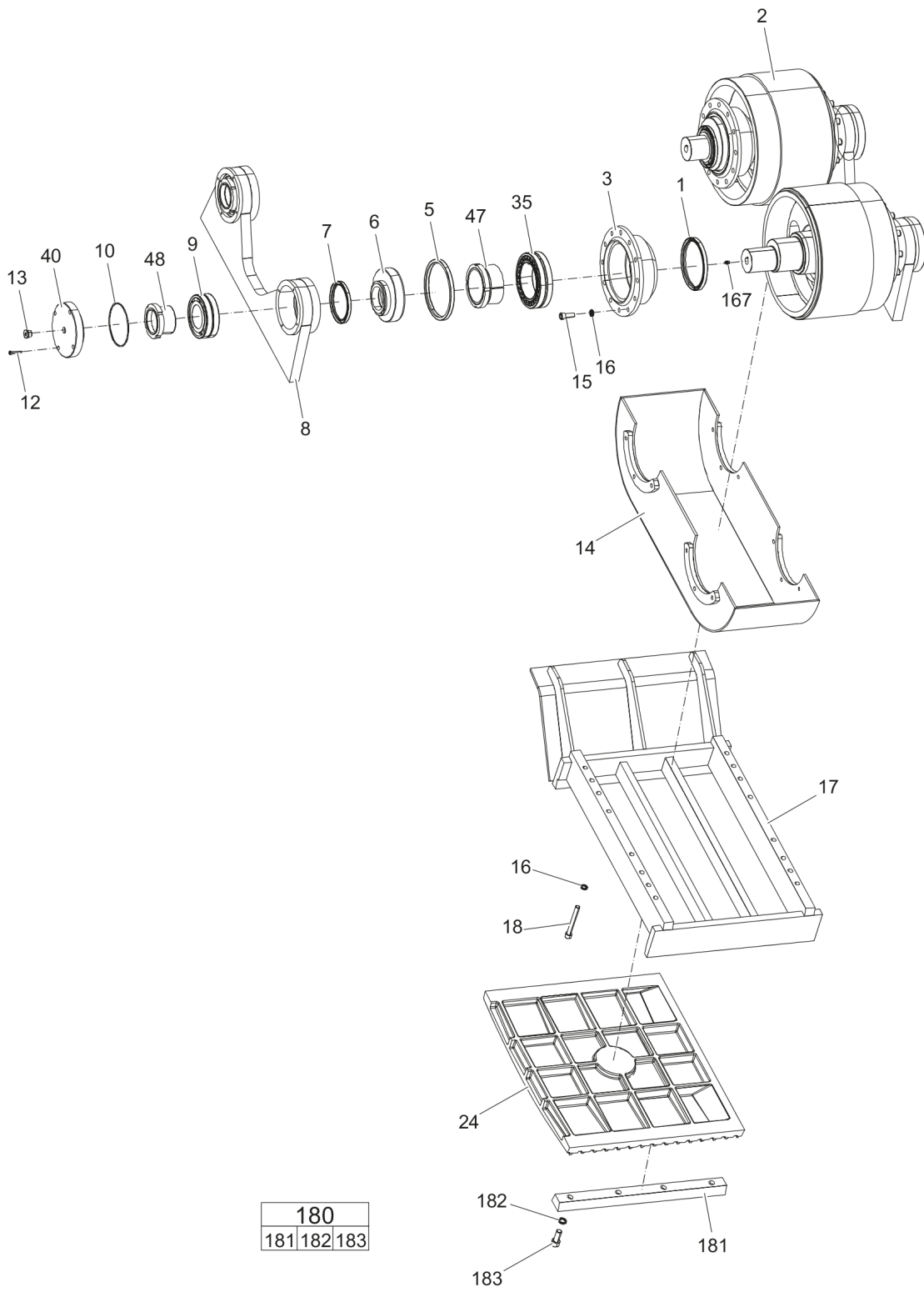
| Item | Part No. | Name | Qty | L |
|------|------------|----------------------------|-----|---|
| 4 | 3363118389 | Gear cover | 1 | |
| 11 | 3363118386 | Allen screw | 8 | |
| 16 | 3361333703 | Pair of lock washers | 8 | |
| 25 | 3363118400 | Main timing belt | 1 | |
| 26 | 3363118401 | Secondary timing belt | 2 | |
| 27 | 3363118402 | Gear | 2 | |
| 28 | 3363118403 | Washer | 2 | |
| 29 | 3363118404 | Hydraulic motor | 2 | |
| 30 | 3363118405 | Seal kit (Hydraulic motor) | 2 | |
| 31 | 3362328039 | Allen screw | 8 | |
| 32 | 3361850596 | Pair of lock washers | 20 | |
| 33 | 3360995664 | Flange half | 12 | |
| 34 | 3363118433 | Allen screw | 24 | |
| 36 | 3363118434 | Allen screw | 12 | |
| 37 | 3363118407 | Washer | 4 | |
| 38 | 3363118408 | Valve block | 1 | A |
| 39 | 3363118409 | Valve block | 1 | B |
| 43 | 3363118412 | Pin | 2 | |
| 44 | 3361850745 | Pair of lock washers | 24 | |
| 49 | 3363118415 | Support | 2 | |
| 50 | 3363091047 | Flat head socket bolt | 2 | |
| 55 | 3363118416 | Tensioner fork | 2 | |
| 56 | 3363118417 | Housing | 1 | |
| 61 | 3363118420 | Locking pin | 2 | |
| 81 | 3363118422 | Spacer | 8 | |

Comments for Page: Bucket without intermediate plate

A | Working valve block

B | Return valve block

Mechanical Mobile support parallel



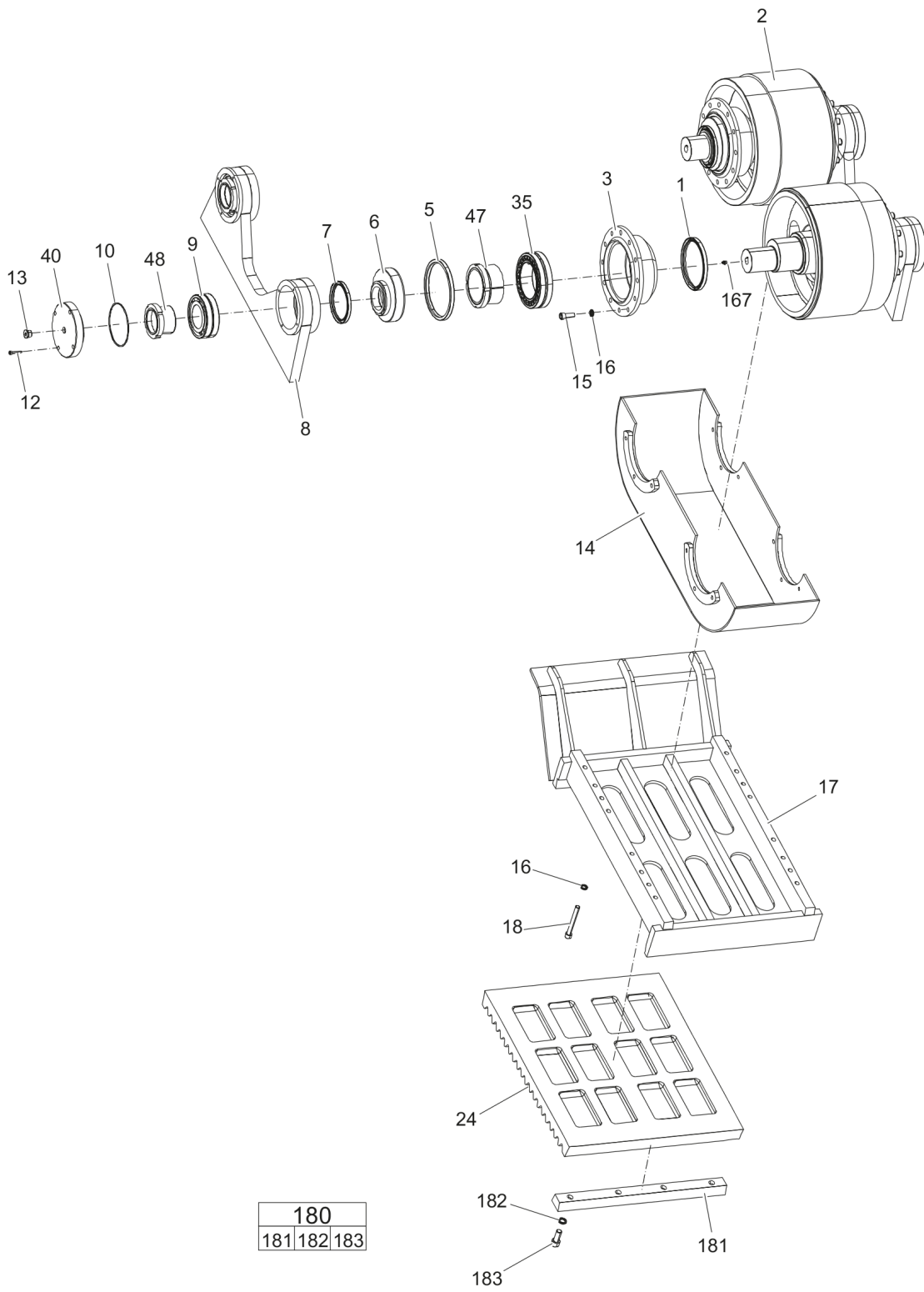
| |
|-------------|
| 180 |
| 181 182 183 |

| Item | Part No. | Name | Qty | L |
|--------------|------------|----------------------|-----|---|
| 1 | 3363118383 | Seal | 4 | |
| 2 | 3363118387 | Drive shaft | 2 | |
| 3 | 3363118388 | Flange | 4 | |
| 5 | 3363118384 | Seal | 4 | |
| 6 | 3363118390 | Seal support | 4 | |
| 7 | 3363118385 | Seal | 4 | |
| 8 | 3363118391 | Bridge part | 2 | |
| 9 | 3363118392 | Bearing | 4 | |
| 10 | 3363118393 | Seal | 4 | |
| 12 | 0211132700 | CAP SCREW | 16 | |
| 13 | 3363118394 | Allen plug | 4 | |
| 14 | 3363118395 | Transmission housing | 1 | |
| 15 | 3363118382 | Allen screw | 40 | |
| 16 | 3361333703 | Pair of lock washers | 56 | |
| 17 | 3363118396 | Mobile support | 1 | |
| 18 | 3363118419 | Allen screw | 16 | |
| 24 | 3363118397 | Jaw | 1 | A |
| 35 | 3363118406 | Bearing | 4 | |
| 40 | 3363118410 | Cover | 4 | |
| 47 | 3363118413 | Sleeve | 4 | |
| 48 | 3363118414 | Sleeve | 4 | |
| 167 | 3360209834 | Grease nipple | 4 | |
| 180(181-183) | 3363118374 | Wedge complete | 1 | |
| 181 | | Wedge | 1 | |
| 182 | 3361850748 | Pair of lock washers | 4 | |
| 183 | 3363094902 | Allen screw | 4 | |

Comments for Page: Mobile support parallel

A | parallel

Mechanical Mobile support cross



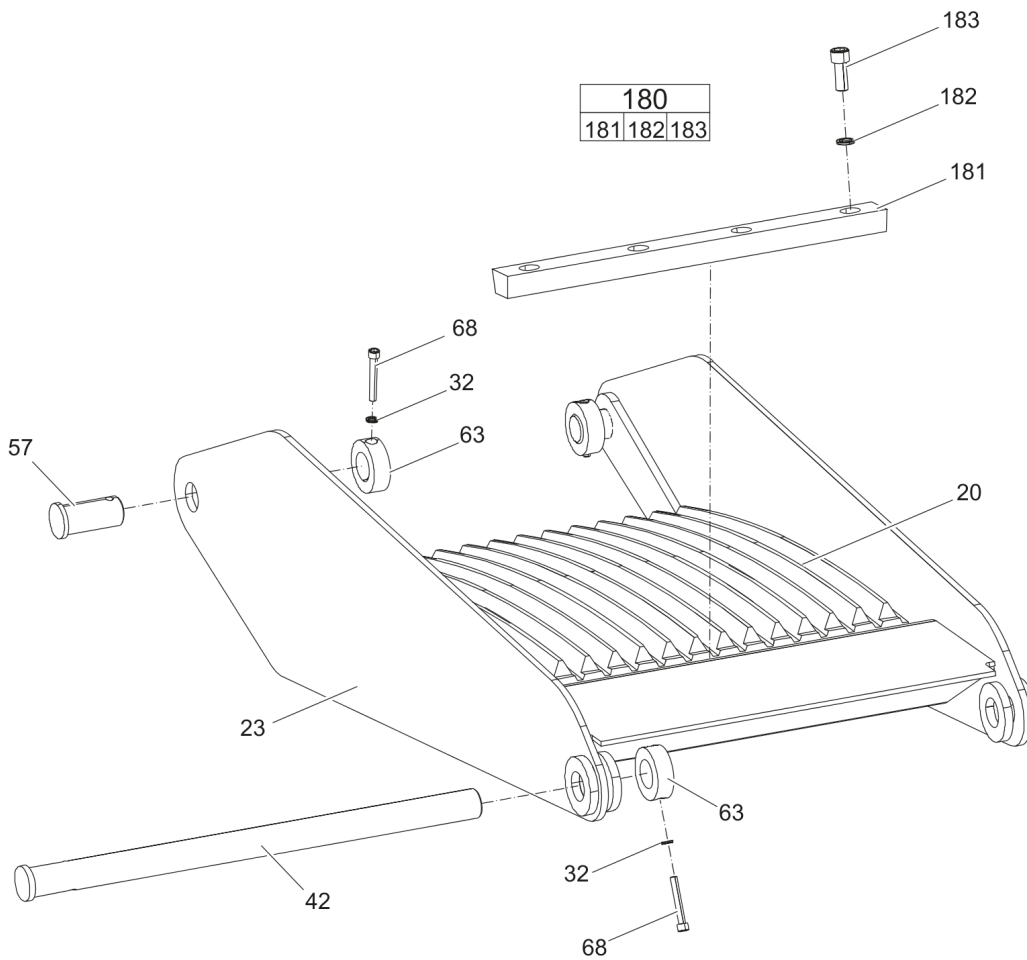
| |
|-------------|
| 180 |
| 181 182 183 |

| Item | Part No. | Name | Qty | L |
|--------------|------------|----------------------|-----|---|
| 1 | 3363118383 | Seal | 4 | |
| 2 | 3363118387 | Drive shaft | 2 | |
| 3 | 3363118388 | Flange | 4 | |
| 5 | 3363118384 | Seal | 4 | |
| 6 | 3363118390 | Seal support | 4 | |
| 7 | 3363118385 | Seal | 4 | |
| 8 | 3363118391 | Bridge part | 2 | |
| 9 | 3363118392 | Bearing | 4 | |
| 10 | 3363118393 | Seal | 4 | |
| 12 | 0211132700 | CAP SCREW | 16 | |
| 13 | 3363118394 | Allen plug | 4 | |
| 14 | 3363118395 | Transmission housing | 1 | |
| 15 | 3363118382 | Allen screw | 40 | |
| 16 | 3361333703 | Pair of lock washers | 56 | |
| 17 | 3363118396 | Mobile support | 1 | |
| 18 | 3363118419 | Allen screw | 16 | |
| 24 | 3363118436 | Jaw | 1 | A |
| 35 | 3363118406 | Bearing | 4 | |
| 40 | 3363118410 | Cover | 4 | |
| 47 | 3363118413 | Sleeve | 4 | |
| 48 | 3363118414 | Sleeve | 4 | |
| 167 | 3360209834 | Grease nipple | 4 | |
| 180(181-183) | 3363118374 | Wedge complete | 1 | |
| 181 | | Wedge | 1 | |
| 182 | 3361850748 | Pair of lock washers | 4 | |
| 183 | 3363094902 | Allen screw | 4 | |

Comments for Page: Mobile support cross

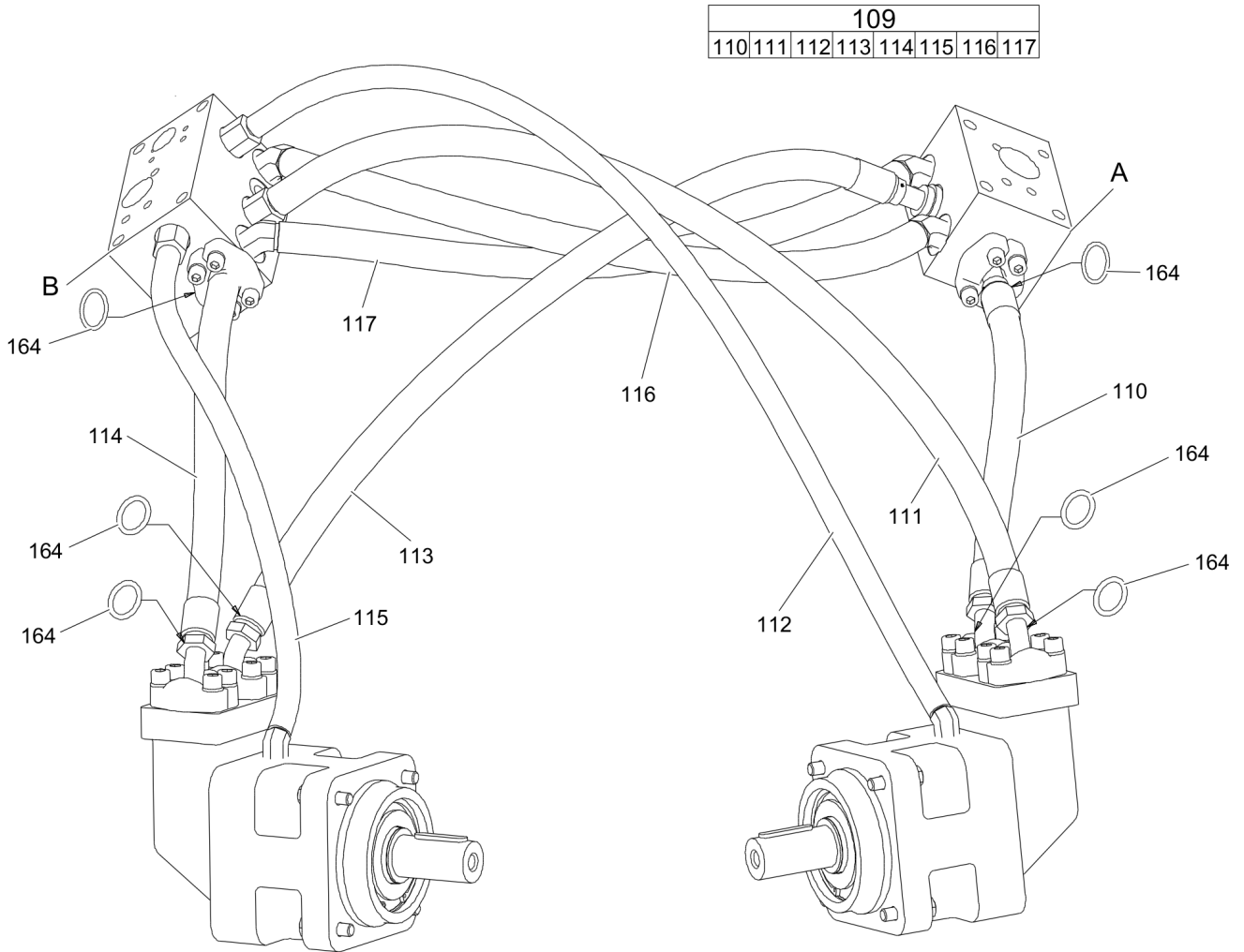
A | cross

Mechanical Lower support



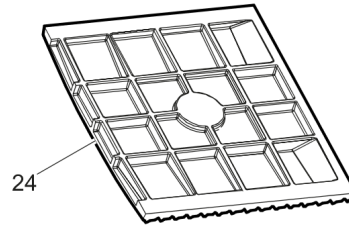
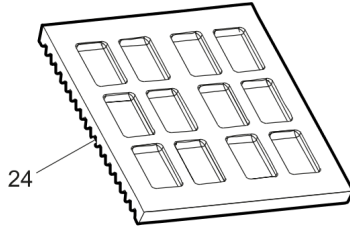
| Item | Part No. | Name | Qty | L |
|--------------|------------|----------------------|-----|---|
| 20 | 3363118397 | Jaw | 1 | |
| 23 | 3363118399 | Lower support | 1 | |
| 32 | 3361850596 | Pair of lock washers | 3 | |
| 42 | 3363118411 | Bolt | 1 | |
| 57 | 3363118418 | Bolt | 2 | |
| 63 | 3363118421 | Screwed washer | 3 | |
| 68 | 3362328043 | Allen screw | 3 | |
| 180(181-183) | 3363118374 | Wedge complete | 1 | |
| 181 | | Wedge | 1 | |
| 182 | 3361850748 | Pair of lock washers | 4 | |
| 183 | 3363094902 | Allen screw | 4 | |

Mechanical Inner hydraulic hoses

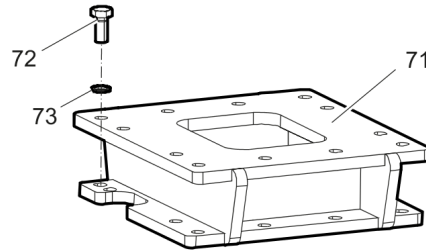


| Item | Part No. | Name | Qty | L |
|--------------|------------|--------------------|-----|---|
| 109(110-117) | 3363118432 | Hydraulic hose kit | 1 | |
| 110 | 3363118424 | Hydraulic hose | 1 | |
| 111 | 3363118425 | Hydraulic hose | 1 | |
| 112 | 3363118426 | Hydraulic hose | 1 | |
| 113 | 3363118427 | Hydraulic hose | 1 | |
| 114 | 3363118428 | Hydraulic hose | 1 | |
| 115 | 3363118429 | Hydraulic hose | 1 | |
| 116 | 3363118430 | Hydraulic hose | 1 | |
| 117 | 3363118431 | Hydraulic hose | 1 | |
| 164 | 3363087665 | O-ring | 6 | |

Mechanical Optional parts



| |
|--------------|
| 70 |
| 71 72 73 |



| Item | Part No. | Name | Qty | L |
|-----------|------------|-----------------------------|-----|---|
| 24 | 3363118436 | Jaw | 1 | A |
| 24 | 3363118397 | Jaw | 1 | B |
| 70(71-73) | 3363118435 | Intermediate plate complete | 1 | |
| 71 | | Intermediate plate | 1 | |
| 72 | 3363089342 | Hexagonal head bolt | 12 | |
| 73 | 3361850747 | Pair of lock washers | 12 | |

Comments for Page: Optional parts

A | cross

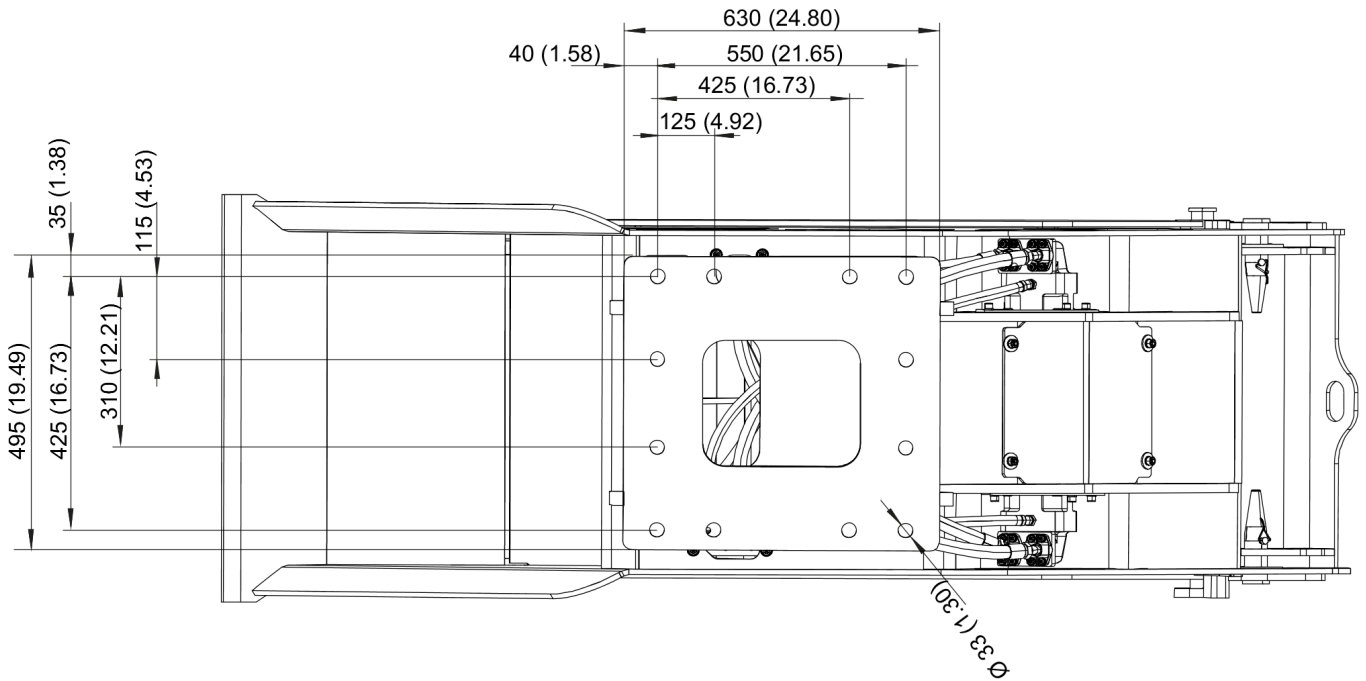
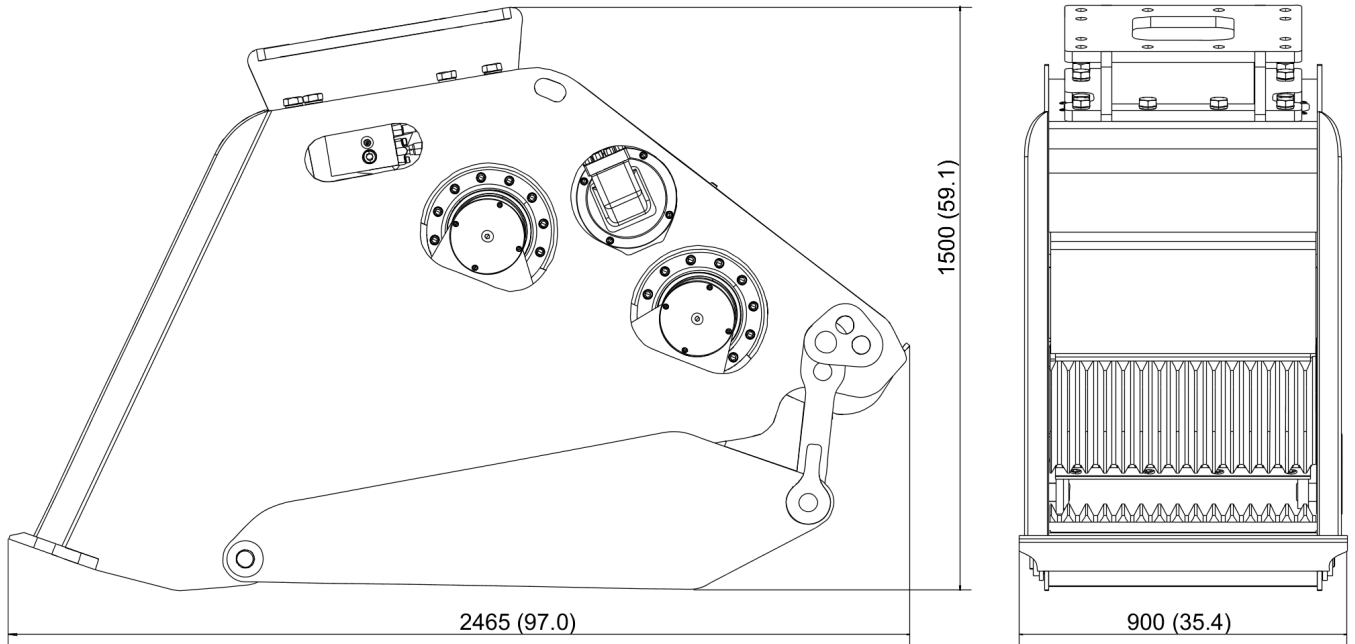
B | parallel

Mechanical Tightening torques

NO EXPLODED VIEW
AVAILABLE
FOR THIS BOM

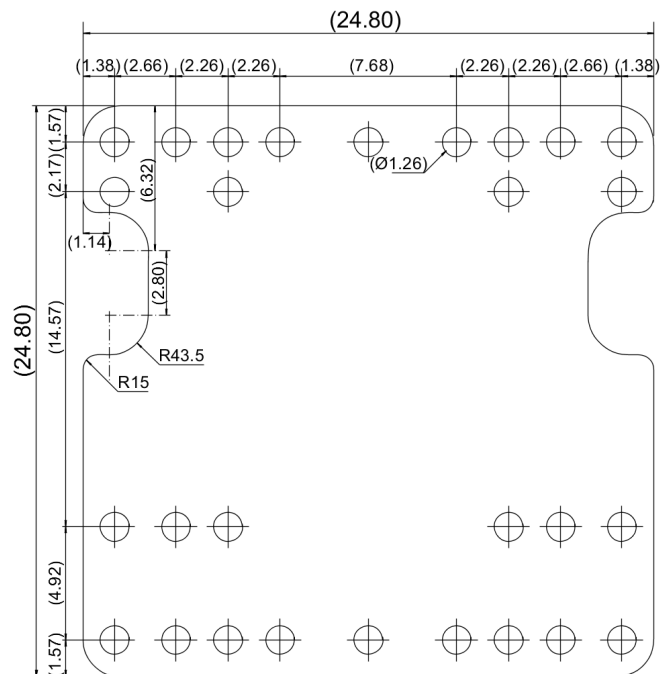
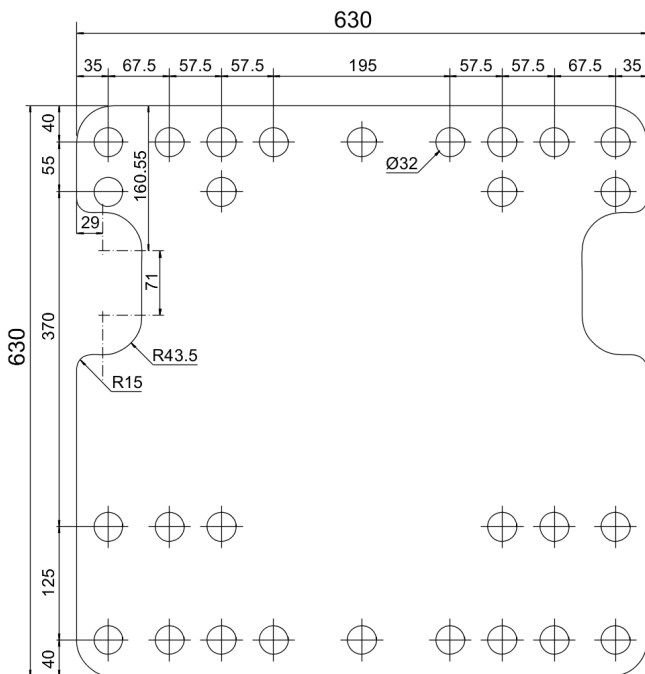
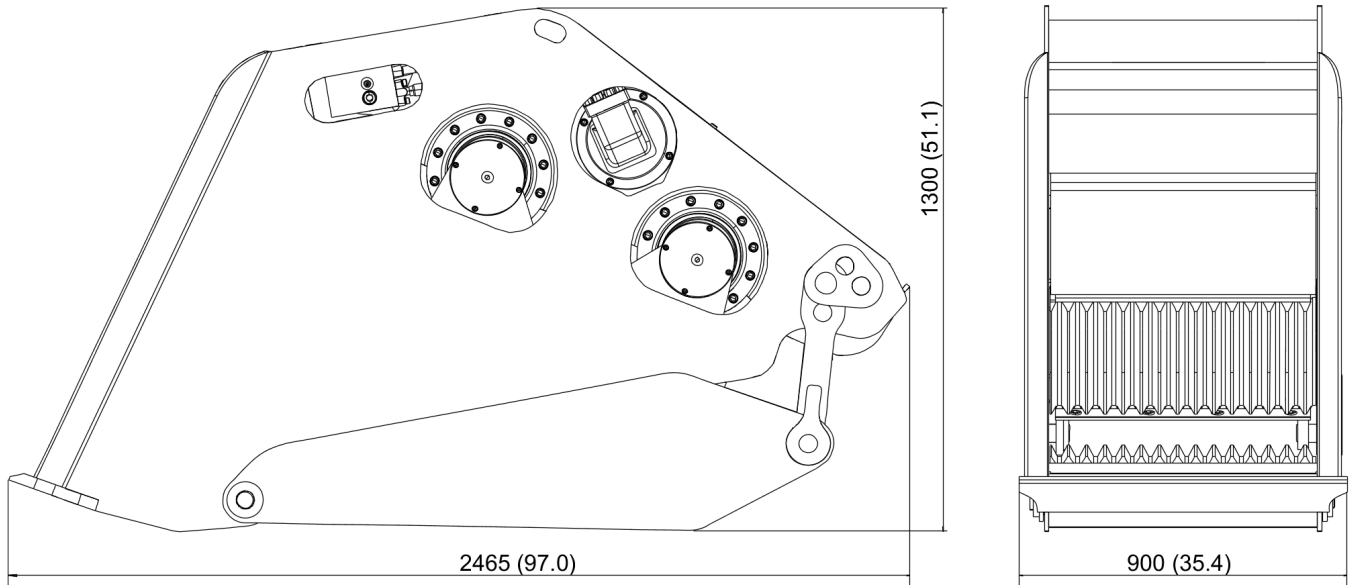
| Item | Part No. | Name | Qty | L |
|-----------|----------|---|-----|---|
| Not Shown | - | Bolt size: M8 x 1.25, property class: 8.8 - 26 Nm (19 ft lbf) | - | |
| Not Shown | - | Bolt size: M10 x 1.5, property class: 8.8 - 53 Nm (39 ft lbf) | - | |
| Not Shown | - | Bolt size: M12 x 1.75, property class: 8.8 - 120 Nm (89 ft lbf) | - | |
| Not Shown | - | Bolt size: M14 x 2, property class: 8.8 - 140 Nm (103 ft lbf) | - | |
| Not Shown | - | Bolt size: M16 x 2, property class: 8.8 - 210 Nm (155 ft lbf) | - | |
| Not Shown | - | Bolt size: M18 x 2.5, property class: 8.8 - 295 Nm (218 ft lbf) | - | |
| Not Shown | - | Bolt size: M20 x 2.5, property class: 8.8 - 415 Nm (306 ft lbf) | - | |
| Not Shown | - | Bolt size: M22 x 2.5, property class: 8.8 - 580 Nm (428 ft lbf) | - | |
| Not Shown | - | Bolt size: M24 x 3, property class: 8.8 - 710 Nm (524 ft lbf) | - | |
| Not Shown | - | Bolt size: M27 x 3, property class: 8.8 - 1050 Nm (774 ft lbf) | - | |
| Not Shown | - | Bolt size: M30 x 3.5, property class: 8.8 - 1420 Nm (1047 ft lbf) | - | |
| Not Shown | - | Bolt size: M36 x 4, property class: 8.8 - 2400 Nm (1770 ft lbf) | - | |

Mechanical Dimensions with intermediate plate



This page intentionally left blank

Mechanical Dimensions without intermediate plate



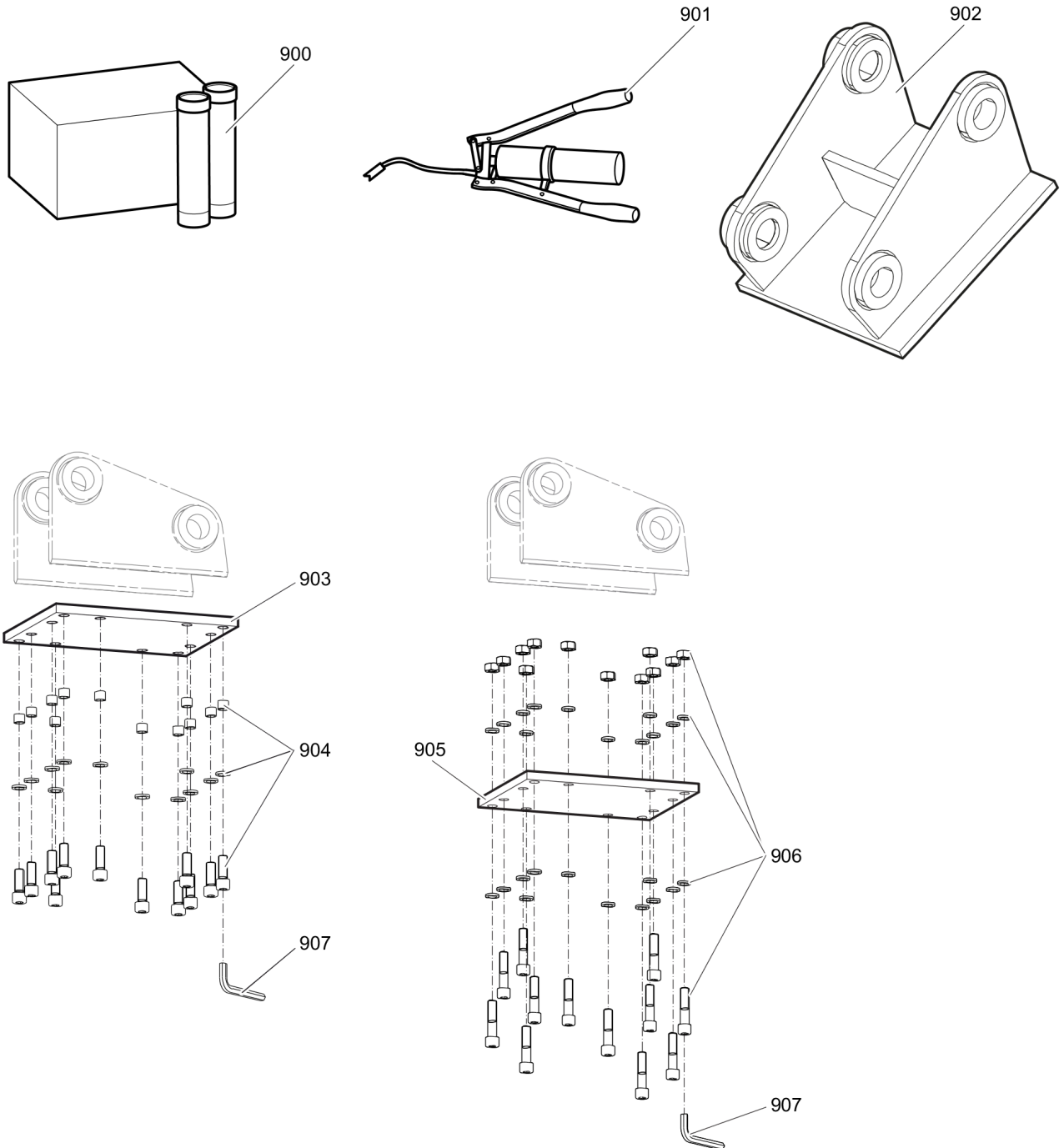
This page intentionally left blank

Options / accessories Hydraulic hoses

NO EXPLODED VIEW
AVAILABLE
FOR THIS BOM

| Item | Part No. | Name | Qty | L |
|-----------|------------|---|-----|---|
| Not Shown | - | Connecting hose with flange and cap nut for rotation forwards - backwards | | |
| - | 3363118027 | Hydraulic hose with flange, I.D. 25 mm , flange SAE 1" 6000 PSI / M42 x 2 conical seal 24°, length 2300 mm (91 in.) | 2 | |
| Not Shown | - | Connecting hose for leakage line | | |
| - | 3363118028 | Hydraulic hose with flange, I.D. 12 mm , flange SAE 1/2" 6000 PSI / M24 x 1.5 conical seal 24°, length 2300 mm (91 in.) | 1 | |

Options / accessories Optional equipment



| Item | Part No. | Name | Qty | L |
|------|------------|---|-----|---|
| 900 | 3363122250 | Free flow grease cartridge, 12 x 400 g (0.88 lb) | 1 | A |
| 901 | 0909107100 | LUBRICAT.GUN | 1 | |
| 902 | | Adapter plate matching the carrier. Consult the authorized Customer Center/Dealer in your area. | 1 | |
| 903 | 3363099799 | Base plate with threaded inserts | 1 | B |
| 904 | 3363087306 | Bolt kit | 1 | |
| 905 | 3363100697 | Base plate with through borings | 1 | B |
| 906 | 3363094579 | Bolt kit | 1 | |
| 907 | 3360209445 | Allen key (22 mm) | 1 | |

Comments for Page: Optional equipment

A | Epiroc Free flow grease

B | suitable for versions with intermediate plate

Any unauthorized use or copying of the contents or any part thereof is prohibited.
This applies in particular to trademarks, model denominations, part numbers, and drawings.